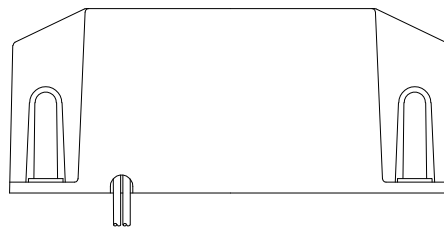
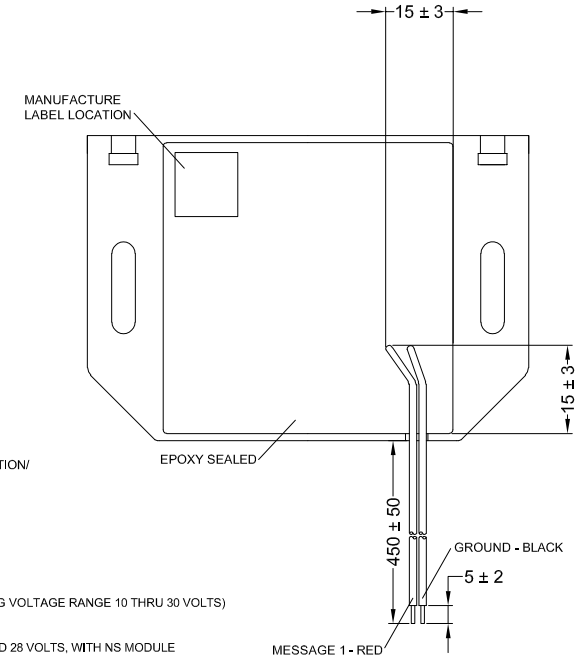
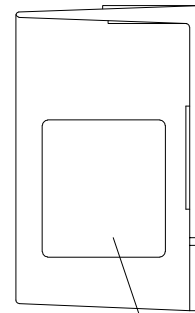
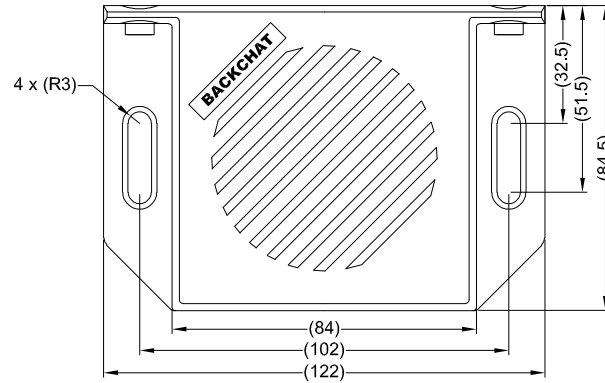
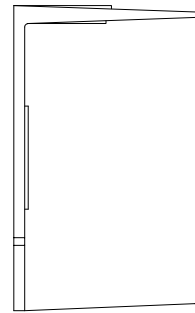
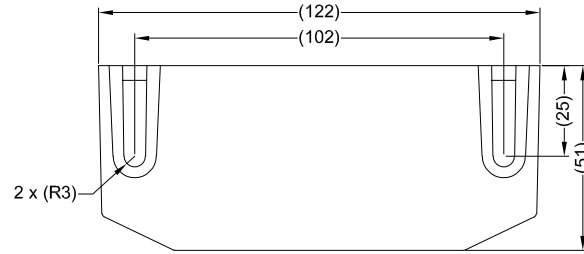


Revision Notes.				
R1 -				
APA: -	Drawn:-	Checked:-	Approved:-	Date: --/--/----



SPECIFICATION

RATED VOLTAGE: 12 AND 24 VOLTS DIRECT CURRENT (WORKING VOLTAGE RANGE 10 THRU 30 VOLTS)
 RATED CURRENT: 0.5 AMPERES OR LESS
 SOUND PRESSURE: 90±4 DECIBELS AT TEST VOLTAGE OF 14 AND 28 VOLTS, WITH NS MODULE
 THE ALARM IS SILENT WITH REVERSE DOUBLE ENGAGED WITHIN 2 SECONDS
 CABLE THICKNESS: ALL CABLES 24/0.2MM
 MESSAGE(S): "BESPOKE CUSTOM MESSAGE"
 MESSAGE LIBRARY NUMBER(S): LIBRARY NUMBER IS ASSIGNED AFTER CONFIRMATION
 VOICE/ACCENT; DEPENDENT ON CUSTOM MESSAGE
 LANGUAGE: DEPENDENT ON CUSTOM MESSAGE

- NOTES:**
1. MATERIAL: ABS PLASTIC - ULTRA VIOLET STABILIZED
 2. FINISH: BLACK
 3. FOR PRODUCT LABEL REFER TO LATEST REVISION OF DRAWING BE-002749-XX-13.
 4. FOR GIFTBOX LABEL REFER TO LATEST REVISION OF DRAWING BE-002325-XX-13.
 5. FOR MANUFACTURE LABEL REFER TO LATEST REVISION OF DRAWING BE-001990-XX-12.
 6. 2 X M6 X 25 BOLTS, 2 X M6 FLAT WASHER & 2 X M6 NUTS ARE SUPPLIED IN A PRESS SEAL BAG IN THE BOX.
 7. POWER & MESSAGE CABLES LENGTHS ARE MEASURED FROM CABLE ENTRY POINT ON HOUSING.

PROPRIETARY NOTICE
 THIS DESIGN AND TECHNICAL INFORMATION APPEARING ON THIS DRAWING IS THE PROPERTY OF BRIGADE ELECTRONICS, AND IS DISCLOSED IN CONFIDENCE. IT IS NOT TO BE COPIED, REPRODUCED, REVEALED TO OR EXPROPRIATED BY OTHERS, EITHER IN WHOLE OR IN PART WITHOUT THE EXPRESS WRITTEN CONSENT OF BRIGADE ELECTRONICS.



Assembly Pl Approval A.HEDDLE	Approved by B.JOHN	Checked by W.SINDEN	Released 16/09/19	Drawn by J.STEWART	Assembly Ref -
Angle of Projection 	Units mm	Scale N/A	Status RELEASED	BC-01(NS-B)	
Third Angle	Part No 1198A	BE-004177-00-19			